



NIGHTFORCE®

Reticles

Mil-CF2

Mil-CF2D

Available in:

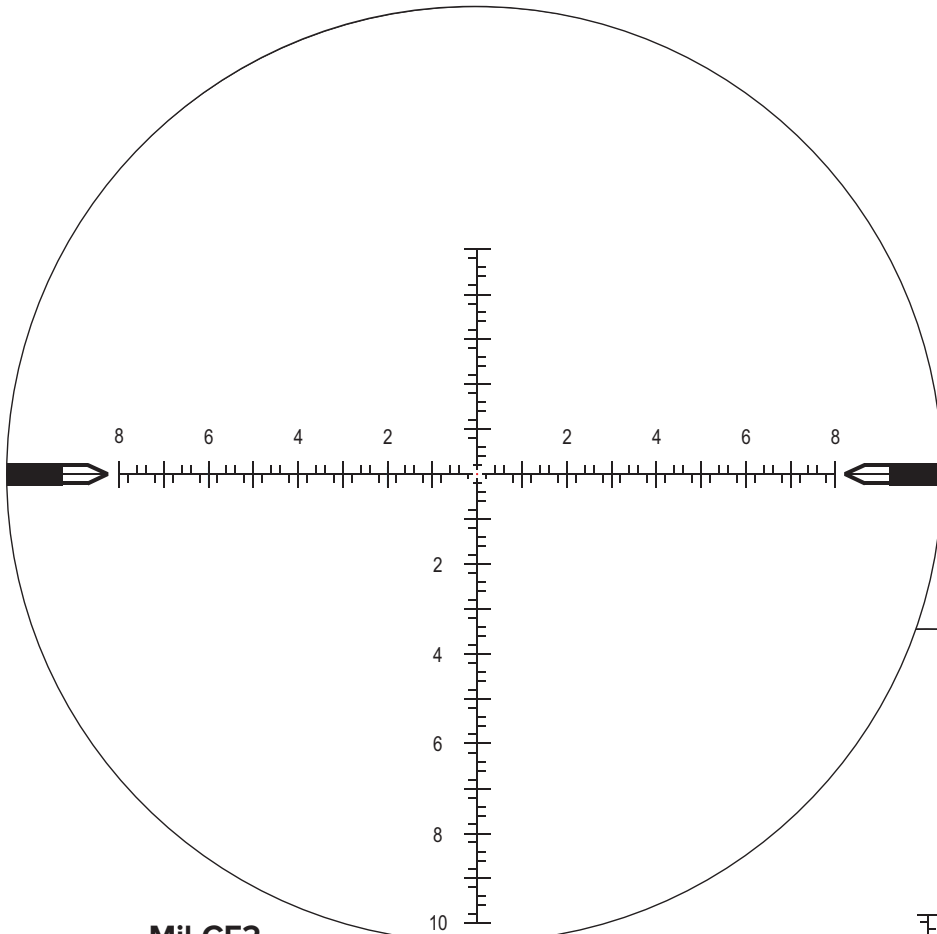
NX8 2.5-20x50 F2

NX8 4-32x50 F2

Floating center-dot
for precise aiming point

0.2 MRAD subtensions
for fast and precise holds

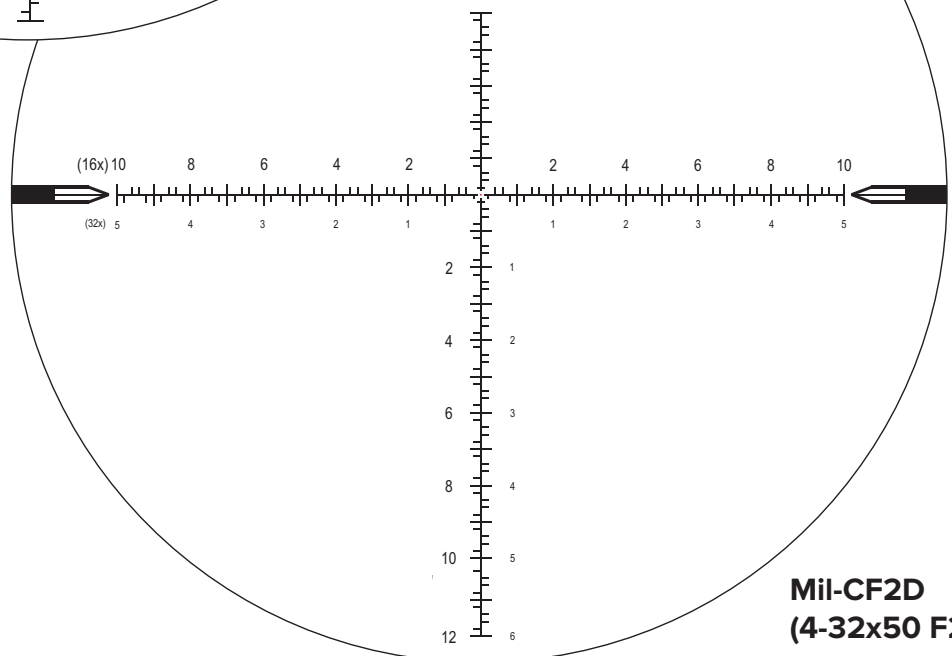
Mil-CF2D features dual
scale subtensions for use
at 32x and 16x



Mil-CF2
(2.5-20x50 F2)

Applications:

- Long-Range Hunting
- Varmint Hunting
- Law Enforcement
- General Shooting



Mil-CF2D
(4-32x50 F2)

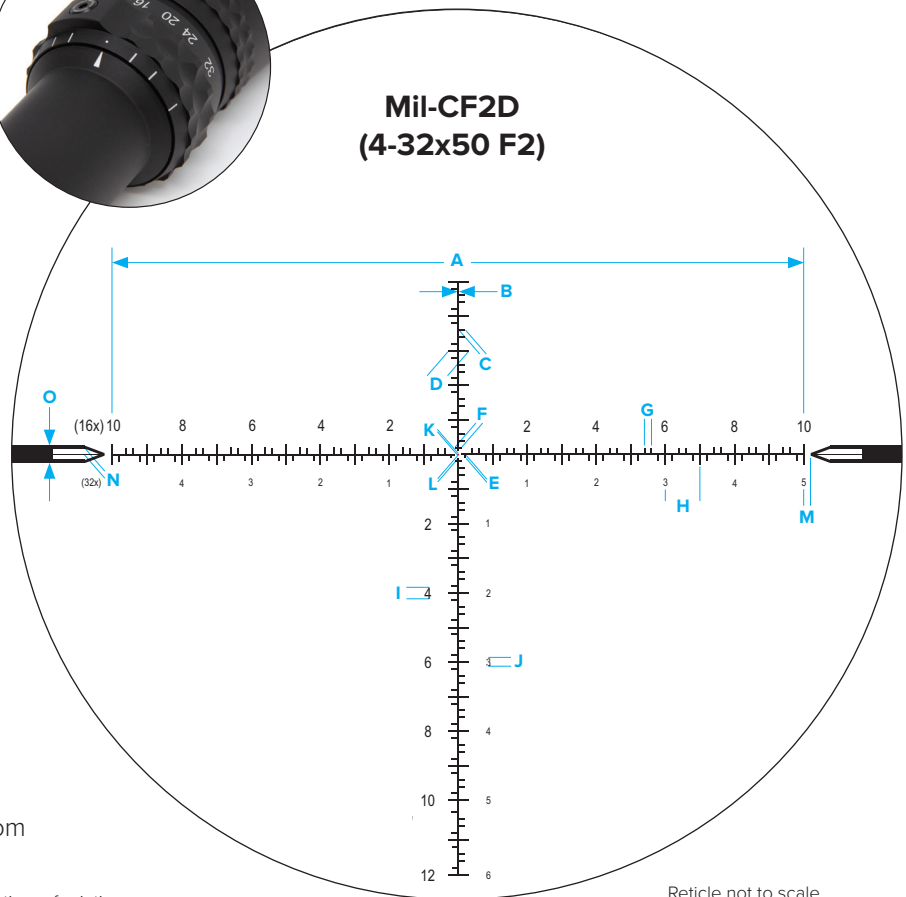
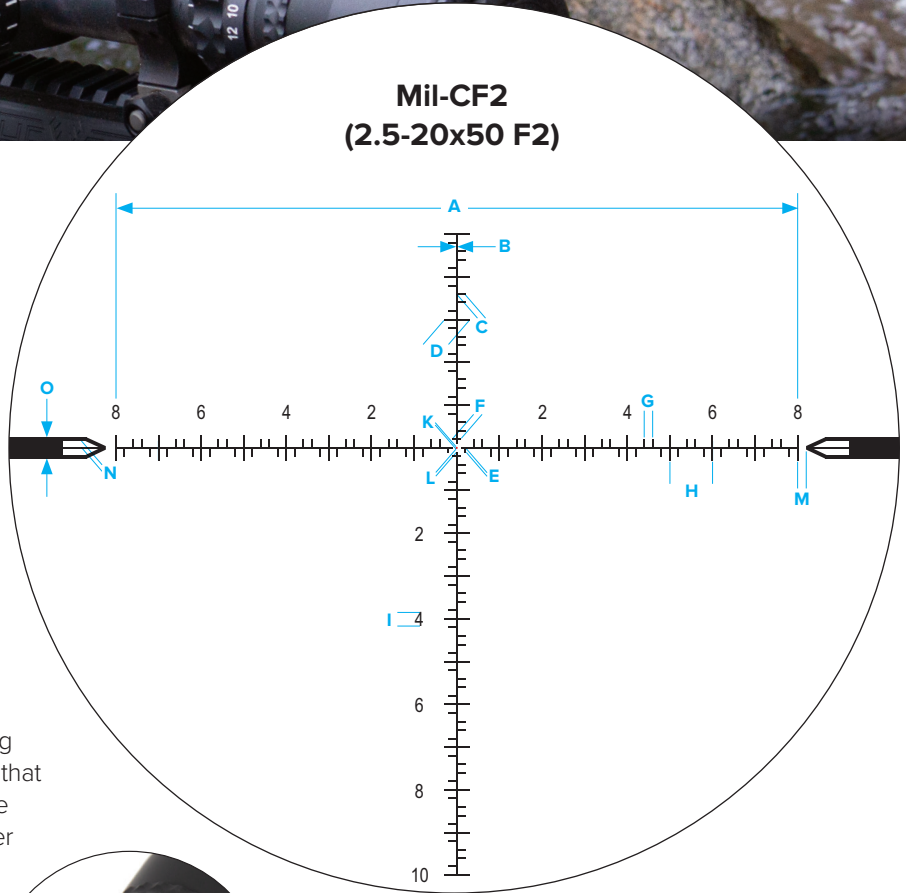


Reticles

Mil-CF2 / Mil-CF2D

The Mil-CF2 and Mil-CF2D were adapted from the First Focal Plane Mil-C reticle with additional features to make them more useful to long-range hunters and shooters who prefer Second Focal Plane. The 0.05 MRAD floating center dot, 0.2 MRAD subtensions, and numbers at every other Mil-Radian ensure fast reference whether shooting in the center or holding for elevation or wind. A reticle scale that nearly fills the field of view and finer line widths provide a clear view of the target anywhere in the reticle. The Mil-CF2D, available only in the 4-32x50 F2, is marked with a dual reticle scale for correct subtensions at 16x and 32x. The power change ring of the scope is marked with a small, calibrated dot that corresponds to the 16x reticle scale. This allows the user to choose between maximum detail or a larger field of view without sacrificing the ability to hold for wind or elevation.

Measured @	Mil-CF2	Mil-CF2D	
	20x	16x	32x
A	16	20	10
B	0.029	0.029	0.015
C	0.2	0.2	0.1
D	0.6	0.6	0.3
E	0.1	0.1	0.05
F	0.2	0.2	0.1
G	0.2	0.2	0.1
H	1.0	1.0	0.5
I	0.34	0.34	0.17
J	N/A	0.23	0.12
K	0.05	0.05	0.025
L	0.1	0.1	0.05
M	0.2	0.2	0.1
N	0.25	0.25	0.13
O	0.5	0.5	0.25



NIGHTFORCE®

Nightforce Optics, Inc.
 336 Hazen Lane / Orofino, ID 83544
 Phone: 208.476.9814 / www.nightforceoptics.com
info@nightforceoptics.com

© Nightforce Optics, Inc. 2020. All information herein is accurate at time of printing. Specifications and product appearances subject to change without notice. REV 0720

Reticle not to scale